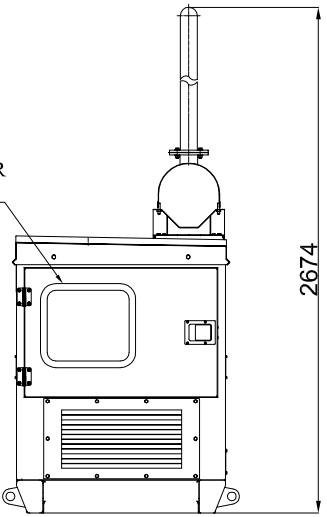


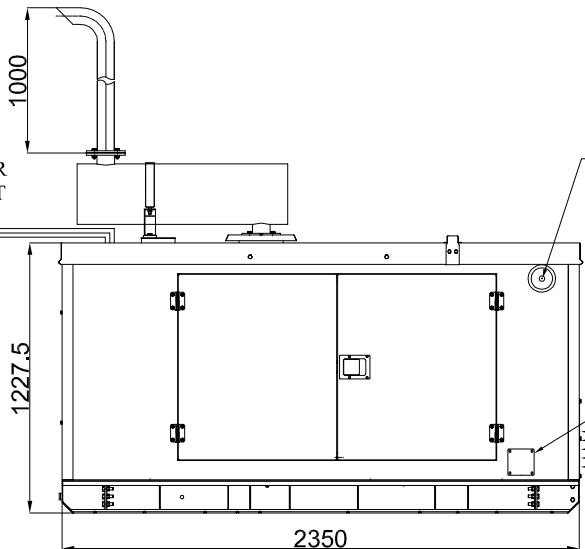
3R1040T (30KVA)

CUT OUT DOOR FOR CONTROL PANEL



VIEW FROM ALTERNATOR

HOT AIR OUTLET



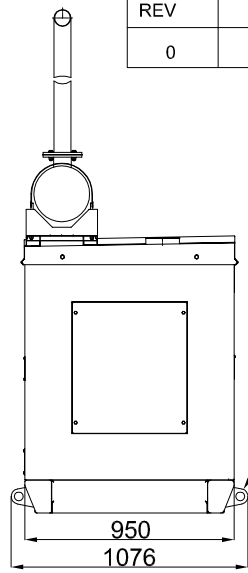
VIEW FROM FRONT

EMERGENCY PUSH BUTTON

CABLE ENTRY PLATE

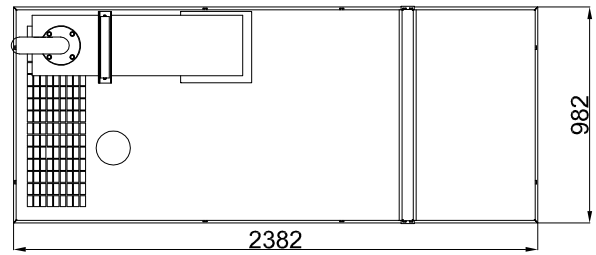
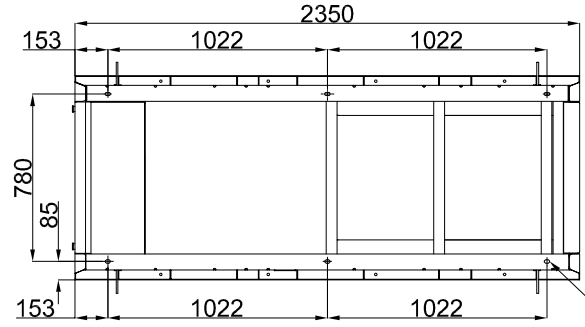
FRESH AIR INLET

REV	DESCRIPTION
0	NEW RELEASE

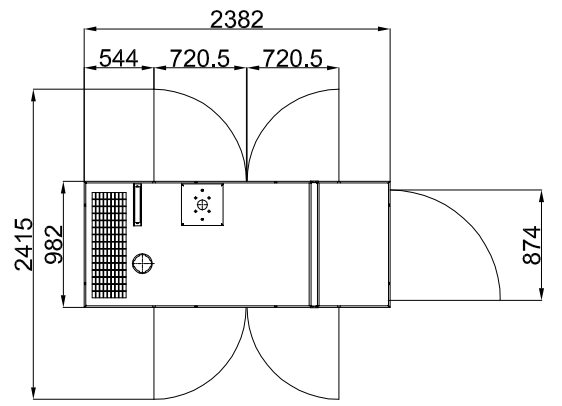


VIEW FROM GEAR SIDE

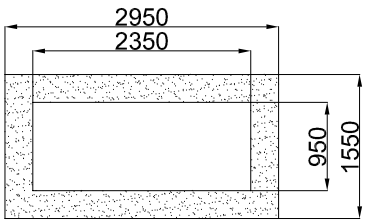
HOOK TO LIFT GENSET



VIEW FROM TOP



INSTALLATION PLAN FOR OPEN DOOR



FOUNDATION LAYOUT

NOTES:

1. FUEL TANK CAPACITY: 65 LITRES
2. HEIGHT OF FOUNDATION ABOVE FFL CAN BE MODIFIED DEPENDING UPON WATER STAGNATION.
3. DEPTH BELOW FFL DEPEND UPON THE SOIL CONDITION AT SITE
4. APPROX DEPTH BELOW FFL= 500MM
5. PCC OR RCC SHALL BE BASED ON SOIL CONDITION
6. HEIGHT OF GENSET = 2674 MM (8.77ft)
7. WIDTH OF GENSET = 950 MM (3.11ft)

IF IN DOUBT ASK	POINTS OF PREVIOUS REVISION NO. SHOULD BE SCRAPPED
-----------------	--

THIS DRAWING IS PROPERTY OF SUNBEAM GENERATOR PVT.LTD. AND MUST BE RETURNED TO US IMMEDIATELY IF SUPPLIED AS CONFIDENTIAL INFORMATION WITH OUR QUALITY RECORD ORDER OR CONTRACT NO. IT IS NOT TO BE COPIED FOR ANY OTHER PURPOSE OR REPRODUCED IN ANY MANNER WITHOUT OUR AUTHORITY IN WRITING.

REVISION		ZONE	NO.	DATE	UNLESS OTHERWISE SPECIFIED	CAR DRILL FILED	PLM	LIFECYCLE STATE	RELEASED
---	---	---	---	---	ALL DIMENSIONS ARE IN MM. SURFACE FINISHES AS PER IS STANDARDS.	INTERIOR	HEAT TREATMENT	---	---
---	---	---	---	---	UNMENTIONED DIMENSIONS ARE FOR CUSTOMIZATION.	DRN	DIPRAKASH	---	---
---	---	---	---	---	REMOVE ALL SHARP EDGES AND CHAMFER CORNERS.	DR	T.M.ARUNKUMAR	---	---
---	---	---	---	---	DRAWINGS NOT TO BE SCALED.	APPR.	---	---	---
---	---	---	---	---	UNMENTIONED	DATE	05.07.2014	---	---
---	---	---	---	---	RADIUS	---	---	---	---
---	---	---	---	---	CHAMFER	---	---	---	---
---	---	---	---	---	UNDERCUT	---	---	---	---
						SUNBEAM GENERATOR PVT.LTD		DRAWING NO.	
						PONDICHERRY		SBGG/GA-FND-30KVA	
								REV. NO.	
								01	